

23KW

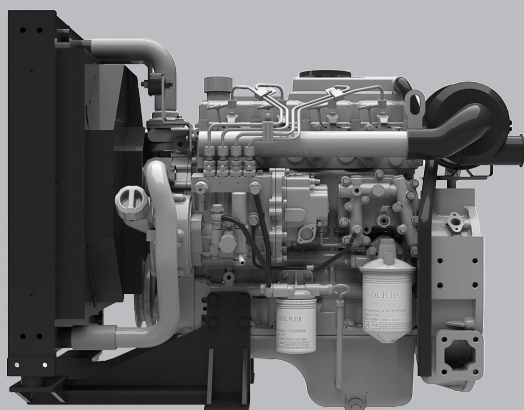
EU Stage II

4 cylinders

FOGO GENSET ENGINE

F0025-0022

The F0025-0022 is a reliable 4-cylinder naturally aspirated diesel engine offering 16 kWe of prime power output. Featuring excellent fuel efficiency and proven durability, this 2.5L engine is ideal for continuous power generation applications.



MAIN TECHNICAL PARAMETERS

Number of cylinders	4
Configuration	Vertical, in-line
Aspiration	Naturally aspirated
Combustion system	Direct injection
Compression ratio	17.5:1
Bore x Stroke	89mm x 100mm
Displacement	2.5L
Rotation	Counterclockwise (viewed from the flywheel end)
Fuel system	Mechanical
Governor	Electronic
Stability at constant load [ISO 8528-5 Class G3]	± +/- 0.5 %
50/60Hz switchable operation	YES
Electric system	12V
Tropical Radiator mounted on the engine	Ambient 50°C
Flywheel Housing	SAE4 /7.5"
Lubrication Oil capacity	6.5L
Coolant capacity	13.5L
Emission class compliance	EU Stage II

THE ENGINE PERFORMANCE

GROSS ENGINE OUTPUT 50HZ

PRP	23 kWm
ESP	25 kWm

TYPICAL GENERATOR OUTPUT 50HZ

PRP	16 kWe
PRP	20 kVA
ESP	22 kVA

FUEL CONSUMPTION

STANDBY [ESP]	221.9 g/kWh	6.6 L/h
PRIME [PRP]	220.1 g/kWh	6.1 L/h
75% PRP [prime]	238.0 g/kWh	3.3 L/h
50% PRP [prime]	225.0 g/kWh	4.6 L/h
HVO synthetic fuel acceptance		

KEY FEATURES

MAIN FEATURES

- ✓ Compact design
- ✓ Good power density
- ✓ Durability
- ✓ Easy service & maintenance
- ✓ Low fuel consumption
- ✓ Wide selection of optional equipment
- ✓ Low noise
- ✓ Tailored cooling pack

STANDARD SCOPE OF SUPPLY

- ✓ Cast iron cylinder block c/w separate cast iron cylinder head
- ✓ Aluminum alloy pistons with gallery oil cooling
- ✓ Automatic belt tensioner, Lift eyes, Fixed front suspension
- ✓ Radiator installed on the engine with mechanical pusher fan, thermostatically controlled
- ✓ Large capacity oil pan, spin-on full-flow oil filter, oil dipstick
- ✓ Fuel injection pump for high inject pressure, P-type injectors
- ✓ Duplex fine fuel filter c/w water separator
- ✓ Air inlet preheater
- ✓ Rear mounted air filter with restriction indicator
- ✓ 12V DC electric system with 3.7kW starter
- ✓ 35A charging alternator
- ✓ Heat isolated exhaust manifold

DIMENSIONS & WEIGHT

DIMENSIONS & WEIGHT

Including radiator (dry weight)

1005

Length (mm)

605

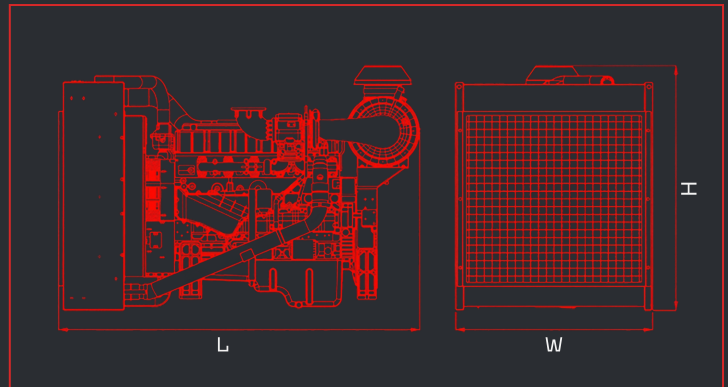
Width (mm)

780

Height (mm)

240

Weight (kg)



POWER DEFINITIONS:

ESP = STANDBY POWER

According to ISO8528 is maximum power available during variable electrical power sequence up to 200h of operation per year, permissible output over 24h operation should not exceed 70% ESP

PRP = PRIME POWER

According to ISO8528 is maximum power engine can deliver continuously for unlimited number of hours per year permissible output over 24h operation should not exceed 70% PRP

FOGO.PL

**INTERNATIONAL
WARRANTY**

PRIME POWER
2 years with
no hours limitations

STANDBY POWER
4 years or max. 1000 hrs
not more than 300 hrs per year