

ONE BRAND. ONE POWER.

TOTAL CONTROL

30KW

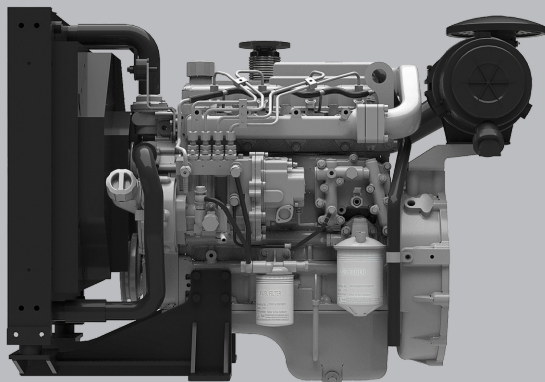
EU Stage II

4 cylinders

FOGO GENSET ENGINE

F0025-0032

Engineered for superior performance, the F0025-0032 delivers 24 kW of prime power with advanced turbocharged technology. This 4-cylinder 2.5L diesel engine combines high efficiency with robust construction for demanding power generation needs.



MAIN TECHNICAL PARAMETERS

Number of cylinders	4
Configuration	Vertical, in-line
Aspiration	Turbo supercharging
Combustion system	Direct injection
Compression ratio	17.5:1
Bore x Stroke	89mm x 100mm
Displacement	2.5L
Rotation	Counterclockwise (viewed from the flywheel end)
Fuel system	Mechanical
Governor	Electronic
Stability at constant load [ISO 8528-5 Class G3]	± 0.5 %
50/60Hz switchable operation	YES
Electric system	12V
Tropical Radiator mounted on the engine	Ambient 50°C
Flywheel Housing	SAE3 /11.5"
Lubrication Oil capacity	6.5L
Coolant capacity	13.5L
Emission class compliance	EU Stage II

THE ENGINE PERFORMANCE

GROSS ENGINE OUTPUT 50HZ

PRP	30 kWm
ESP	33 kWm

TYPICAL GENERATOR OUTPUT 50HZ

PRP	24 kWe
PRP	30 kVA
ESP	33 kVA

FUEL CONSUMPTION

STANDBY [ESP]	210.9 g/kWh	8.3 L/h
PRIME [PRP]	207.6 g/kWh	7.5 L/h
75% PRP [prime]	205.0 g/kWh	4.0 L/h
50% PRP [prime]	197.9 g/kWh	5.6 L/h
HVO synthetic fuel acceptance		

KEY FEATURES

MAIN FEATURES

- ✓ Compact design
- ✓ Good power density
- ✓ Durability
- ✓ Easy service & maintenance
- ✓ Low fuel consumption
- ✓ Wide selection of optional equipment
- ✓ Low noise
- ✓ Tailored cooling pack

STANDARD SCOPE OF SUPPLY

- ✓ Cast iron cylinder block c/w separate cast iron cylinder head
- ✓ Aluminum alloy pistons with gallery oil cooling
- ✓ Automatic belt tensioner, Lift eyes, Fixed front suspension
- ✓ Radiator installed on the engine with mechanical pusher fan, thermostatically controlled
- ✓ Large capacity oil pan, spin-on full-flow oil filter, oil dipstick
- ✓ Fuel injection pump for high inject pressure, P-type injectors
- ✓ Duplex fine fuel filter c/w water separator
- ✓ Air inlet preheater
- ✓ Side mounted turbocharger
- ✓ Rear mounted air filter with restriction indicator
- ✓ 12V DC electric system with 3.7kW starter
- ✓ 35A charging alternator
- ✓ Heat isolated exhaust manifold

DIMENSIONS & WEIGHT

DIMENSIONS & WEIGHT

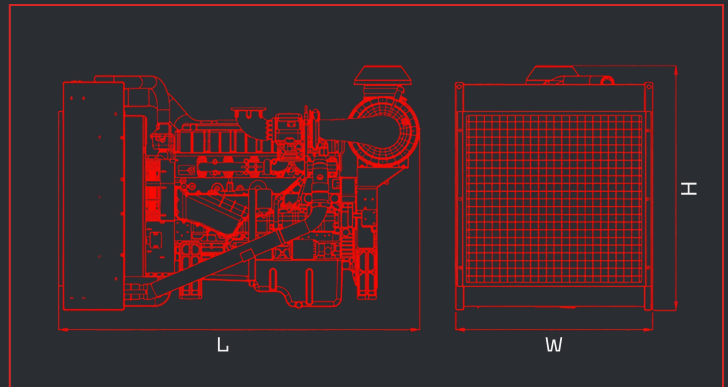
Including radiator (dry weight)

1105
Length (mm)

605
Width (mm)

780
Height (mm)

240
Weight (kg)



POWER DEFINITIONS:

ESP = STANDBY POWER

According to ISO8528 is maximum power available during variable electrical power sequence up to 200h of operation per year, permissible output over 24h operation should not exceed 70% ESP

PRP = PRIME POWER

According to ISO8528 is maximum power engine can deliver continuously for unlimited number of hours per year permissible output over 24h operation should not exceed 70% PRP

FOGO.PL

INTERNATIONAL WARRANTY

PRIME POWER
2 years with
no hours limitations

STANDBY POWER
4 years or max. 1000 hrs
not more than 300 hrs per year