



95KW

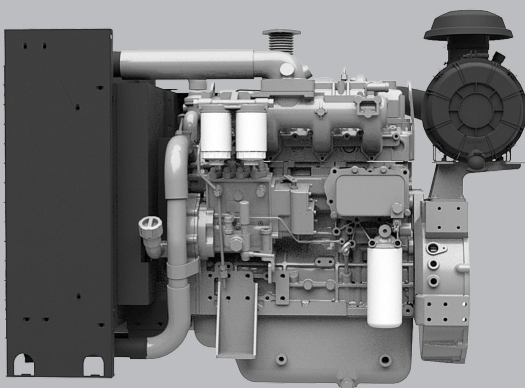
EU Stage II

4 cylinders

## FOGO GENSET ENGINE

### F0048-0102

Engineered for superior performance, the F0048-0102 delivers 80 kWe of prime power with advanced turbocharged technology. This 4-cylinder 4.8L diesel engine combines high efficiency with robust construction for demanding power generation needs.



#### MAIN TECHNICAL PARAMETERS

|  |   |
|--|---|
| Number of cylinders                              | 4   |
| Configuration                                    | Vertical, in-line                               |
| Aspiration                                       | Turbocharged, air/air intercooled               |
| Combustion system                                | Direct injection                                |
| Compression ratio                                | 17.5:1  |
| Bore x Stroke                                    | 108mm x 132mm                                   |
| Displacement                                     | 4.8L  |
| Rotation   | Counterclockwise (viewed from the flywheel end) |
| Fuel system                                      | Mechanical                                      |
| Governor   | Electronic                                      |
| Stability at constant load [ISO 8528-5 Class G3] | ± +/- 0.5 %                                     |
| 50/60Hz switchable operation                     | NO  |
| Electric system                                  | 12V   |
| Tropical Radiator mounted on the engine          | Ambient 50°C                                    |
| Flywheel Housing                                 | SAE3 /11.5"                                     |
| Lubrication Oil capacity                         | 17L   |
| Coolant capacity                                 | 26L   |
| Emission class compliance                        | EU Stage II                                     |

# THE ENGINE PERFORMANCE

## GROSS ENGINE OUTPUT 50HZ

|     |         |
|-----|---------|
| PRP | 95 kWm  |
| ESP | 105 kWm |

## TYPICAL GENERATOR OUTPUT 50HZ

|     |         |
|-----|---------|
| PRP | 80 kWe  |
| PRP | 100 kVA |
| ESP | 110 kVA |

## FUEL CONSUMPTION

|                               |             |          |
|-------------------------------|-------------|----------|
| STANDBY [ESP]                 | 202.6 g/kWh | 25.5 L/h |
| PRIME [PRP]                   | 195.8 g/kWh | 22.3 L/h |
| 75% PRP [prime]               | 195.8 g/kWh | 11.1 L/h |
| 50% PRP [prime]               | 196.6 g/kWh | 16.7 L/h |
| HVO synthetic fuel acceptance |             |          |

# KEY FEATURES

## MAIN FEATURES

- ✓ Compact design
- ✓ Good power density
- ✓ Durability
- ✓ Easy service & maintenance
- ✓ Low fuel consumption
- ✓ Wide selection of optional equipment
- ✓ Low noise
- ✓ Tailored cooling pack

## STANDARD SCOPE OF SUPPLY

- ✓ Cast iron cylinder block c/w separate cast iron cylinder head
- ✓ Aluminum alloy pistons with gallery oil cooling
- ✓ Automatic belt tensioner, Lift eyes, Fixed front suspension
- ✓ Radiator installed on the engine with mechanical pusher fan, thermostatically controlled
- ✓ Large capacity oil pan, spin-on full-flow oil filter, oil dipstick
- ✓ Fuel injection pump for high inject pressure, P-type injectors
- ✓ Duplex fine fuel filter c/w water separator
- ✓ Air inlet preheater
- ✓ Side mounted turbocharger
- ✓ Rear mounted air filter with restriction indicator
- ✓ 12V DC electric system with 3.7kW starter
- ✓ 35A charging alternator
- ✓ Heat isolated exhaust manifold

# DIMENSIONS & WEIGHT

## DIMENSIONS & WEIGHT

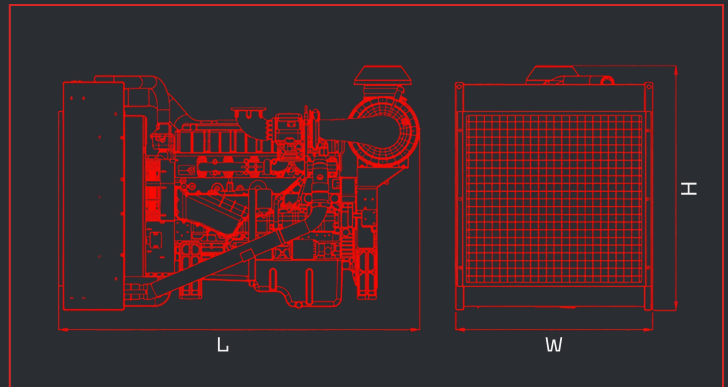
Including radiator (dry weight)

**1363**  
Length (mm)

**756**  
Width (mm)

**1103**  
Height (mm)

**528**  
Weight (kg)



### POWER DEFINITIONS:

ESP = STANDBY POWER

According to ISO8528 is maximum power available during variable electrical power sequence up to 200h of operation per year, permissible output over 24h operation should not exceed 70% ESP

PRP = PRIME POWER

According to ISO8528 is maximum power engine can deliver continuously for unlimited number of hours per year permissible output over 24h operation should not exceed 70% PRP

# FOGO.PL

# INTERNATIONAL WARRANTY

**PRIME POWER**  
2 years with  
no hours limitations

**STANDBY POWER**  
4 years or max. 1000 hrs  
not more than 300 hrs per year