



138KW

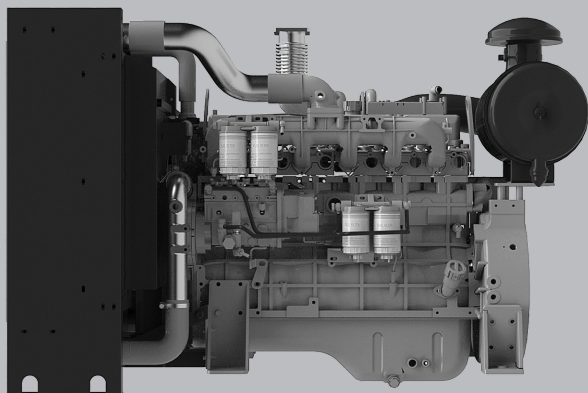
EU Stage II

6 cylinders

## FOGO GENSET ENGINE

### F0069-0152

Engineered for superior performance, the F0069-0152 delivers 120 kWe of prime power with advanced turbocharged technology. This 6-cylinder 6.87L diesel engine combines high efficiency with robust construction for demanding power generation needs.



#### MAIN TECHNICAL PARAMETERS

Number of cylinders	6
Configuration	Vertical, in-line
Aspiration	Turbocharged, air/air intercooled
Combustion system	Direct injection
Compression ratio	17.5:1
Bore x Stroke	108mm x 125mm
Displacement	6.87L
Rotation	Counterclockwise (viewed from the flywheel end)
Fuel system	Mechanical
Governor	Electronic
Stability at constant load [ISO 8528-5 Class G3]	≤ +/- 0.5 %
50/60Hz switchable operation	YES
Electric system	12V
Tropical Radiator mounted on the engine	Ambient 50°C
Flywheel Housing	SAE2 /11.5"
Lubrication Oil capacity	17L
Coolant capacity	45L
Emission class compliance	EU Stage II

# THE ENGINE PERFORMANCE

## GROSS ENGINE OUTPUT 50HZ

PRP	138 kWm
ESP	152 kWm

## TYPICAL GENERATOR OUTPUT 50HZ

PRP	120 kWe
PRP	150 kVA
ESP	165 kVA

## FUEL CONSUMPTION

STANDBY [ESP]	195.7 g/kWh	35.7 L/h
PRIME [PRP]	194.3 g/kWh	32.3 L/h
75% PRP [prime]	200.3 g/kWh	16.5 L/h
50% PRP [prime]	196.7 g/kWh	24.4 L/h
HVO synthetic fuel acceptance		

# KEY FEATURES

## MAIN FEATURES

- ✓ Compact design
- ✓ Good power density
- ✓ Durability
- ✓ Easy service & maintenance
- ✓ Low fuel consumption
- ✓ Wide selection of optional equipment
- ✓ Low noise
- ✓ Tailored cooling pack

## STANDARD SCOPE OF SUPPLY

- ✓ Cast iron cylinder block c/w separate cast iron cylinder head
- ✓ Aluminum alloy pistons with gallery oil cooling
- ✓ Automatic belt tensioner, Lift eyes, Fixed front suspension
- ✓ Radiator installed on the engine with mechanical pusher fan, thermostatically controlled
- ✓ Large capacity oil pan, spin-on full-flow oil filter, oil dipstick
- ✓ Fuel injection pump for high inject pressure, P-type injectors
- ✓ Duplex fine fuel filter c/w water separator
- ✓ Air inlet preheater
- ✓ Side mounted turbocharger
- ✓ Rear mounted air filter with restriction indicator
- ✓ 12V DC electric system with 5.5kW starter
- ✓ 90A charging alternator
- ✓ Heat isolated exhaust manifold

# DIMENSIONS & WEIGHT

## DIMENSIONS & WEIGHT

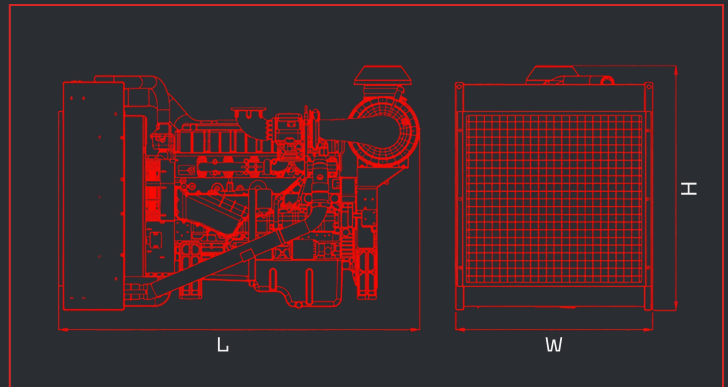
Including radiator (dry weight)

**1720**  
Length (mm)

**900**  
Width (mm)

**1200**  
Height (mm)

**865**  
Weight (kg)



### POWER DEFINITIONS:

ESP = STANDBY POWER

According to ISO8528 is maximum power available during variable electrical power sequence up to 200h of operation per year, permissible output over 24h operation should not exceed 70% ESP

PRP = PRIME POWER

According to ISO8528 is maximum power engine can deliver continuously for unlimited number of hours per year permissible output over 24h operation should not exceed 70% PRP

# FOGO.PL

# INTERNATIONAL WARRANTY

**PRIME POWER**  
2 years with  
no hours limitations

**STANDBY POWER**  
4 years or max. 1000 hrs  
not more than 300 hrs per year