

ONE BRAND. ONE POWER.

TOTAL CONTROL

FOGO GENSET ENGINE

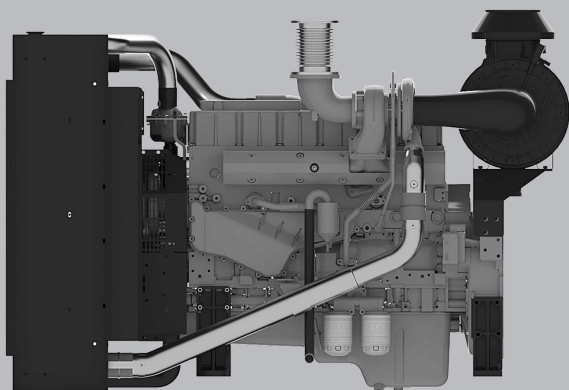
235KW

EU Stage II

6 cylinders

F0103-0252

Engineered for superior performance, the F0103-0252 delivers 200 kW of prime power with advanced turbocharged technology. This 6-cylinder 10.34L diesel engine combines high efficiency with robust construction for demanding power generation needs.



MAIN TECHNICAL PARAMETERS

| | |
|--|---|
| Number of cylinders | 6 |
| Configuration | Vertical, in-line |
| Aspiration | Turbocharged, air/air intercooled |
| Combustion system | Direct injection |
| Compression ratio | 16.8:1 |
| Bore × Stroke | 123mm x 146mm |
| Displacement | 10.34L |
| Rotation | Counterclockwise (viewed from the flywheel end) |
| Fuel system | Mechanical |
| Governor | Electronic |
| Stability at constant load [ISO 8528-5 Class G3] | ± +/- 0.5 % |
| 50/60Hz switchable operation | YES |
| Electric system | 24V |
| Tropical Radiator mounted on the engine | Ambient 50°C |
| Flywheel Housing | SAE1 /14" |
| Lubrication Oil capacity | 30L |
| Coolant capacity | 65L |
| Emission class compliance | EU Stage II |

THE ENGINE PERFORMANCE

GROSS ENGINE OUTPUT 50HZ

| | |
|-----|---------|
| PRP | 235 kWm |
| ESP | 259 kWm |

TYPICAL GENERATOR OUTPUT 50HZ

| | |
|-----|---------|
| PRP | 200 kWe |
| PRP | 250 kVA |
| ESP | 275 kVA |

FUEL CONSUMPTION

| | | |
|-------------------------------|-------------|----------|
| STANDBY [ESP] | 198.4 g/kWh | 61.5 L/h |
| PRIME [PRP] | 196.3 g/kWh | 55.2 L/h |
| 75% PRP [prime] | 194.4 g/kWh | 27.4 L/h |
| 50% PRP [prime] | 193.6 g/kWh | 40.9 L/h |
| HVO synthetic fuel acceptance | | |

KEY FEATURES

MAIN FEATURES

- ✓ Compact design
- ✓ Good power density
- ✓ Durability
- ✓ Easy service & maintenance
- ✓ Low fuel consumption
- ✓ Wide selection of optional equipment
- ✓ Low noise
- ✓ Tailored cooling pack

STANDARD SCOPE OF SUPPLY

- ✓ Cast iron cylinder block c/w separate cast iron cylinder head
- ✓ Aluminum alloy pistons with gallery oil cooling
- ✓ Automatic belt tensioner, Lift eyes, Fixed front suspension
- ✓ Radiator with mechanical pusher fan, thermostatically controlled
- ✓ Large capacity oil pan, spin-on full-flow oil filter, oil dipstick
- ✓ Fuel injection pump for high inject pressure, P-type injectors
- ✓ Duplex fine fuel filter c/w water separator
- ✓ Air inlet preheater
- ✓ Side mounted turbocharger
- ✓ Rear mounted air filter with restriction indicator
- ✓ 24V DC electric system with 9kW starter
- ✓ 55A charging alternator
- ✓ Heat isolated exhaust manifold

DIMENSIONS & WEIGHT

DIMENSIONS & WEIGHT

Including radiator (dry weight)

2088

Length (mm)

1130

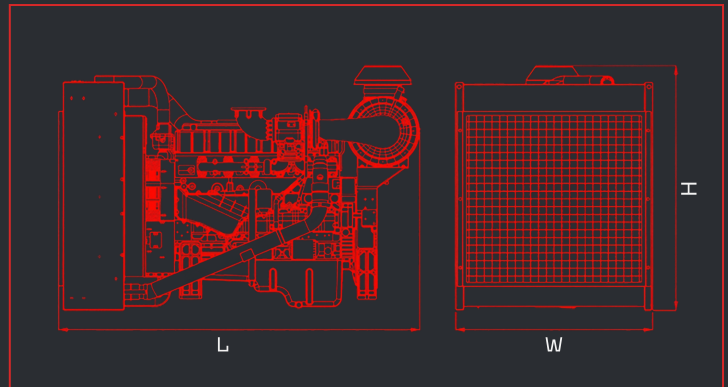
Width (mm)

1392

Height (mm)

1186

Weight (kg)



POWER DEFINITIONS:

ESP = STANDBY POWER

According to ISO8528 is maximum power available during variable electrical power sequence up to 200h of operation per year, permissible output over 24h operation should not exceed 70% ESP

PRP = PRIME POWER

According to ISO8528 is maximum power engine can deliver continuously for unlimited number of hours per year permissible output over 24h operation should not exceed 70% PRP

FOGO.PL

**INTERNATIONAL
WARRANTY**

PRIME POWER
2 years with
no hours limitations

STANDBY POWER
4 years or max. 1000 hrs
not more than 300 hrs per year