



441KW

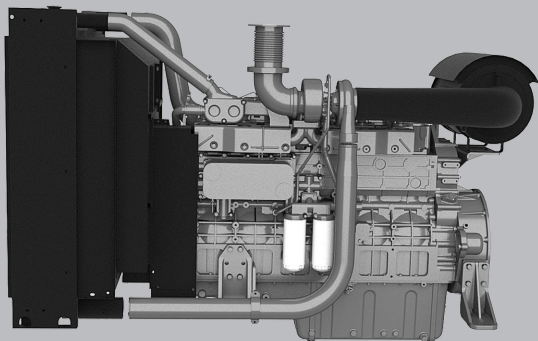
EU Stage IIIA

6 cylinders

FOGO GENSET ENGINE

F0129-0503

Engineered for superior performance, the F0129-0503 delivers 400 kWe of prime power with advanced turbocharged technology. This 6-cylinder 12.94L diesel engine combines high efficiency with robust construction for demanding power generation needs.



MAIN TECHNICAL PARAMETERS

Number of cylinders	6
Configuration	Vertical, in-line
Aspiration	Turbocharged and intercooled
Combustion system	Direct injection
Compression ratio	17.5:1
Bore x Stroke	129mm x 165mm
Displacement	12.94L
Rotation	Counterclockwise (viewed from the flywheel end)
Fuel system	High Pressure Common Rail
Governor	ECU
Stability at constant load [ISO 8528-5 Class G3]	± +/- 0.5 %
50/60Hz switchable operation	NO
Electric system	24V
Tropical Radiator mounted on the engine	Ambient 50°C
Flywheel Housing	SAE1 /14"
Lubrication Oil capacity	34L
Coolant capacity	88L
Emission class compliance	EU Stage IIIA

THE ENGINE PERFORMANCE

GROSS ENGINE OUTPUT 50HZ

PRP	441 kWm
ESP	490 kWm

TYPICAL GENERATOR OUTPUT 50HZ

PRP	400 kWe
PRP	500 kVA
ESP	550 kVA

FUEL CONSUMPTION

STANDBY [ESP]	197.9 g/kWh	116.2 L/h
PRIME [PRP]	194.9 g/kWh	103.0 L/h
75% PRP [prime]	191.8 g/kWh	50.7 L/h
50% PRP [prime]	193.9 g/kWh	76.8 L/h
HVO synthetic fuel acceptance		

KEY FEATURES

MAIN FEATURES

- ✓ Compact design
- ✓ Good power density
- ✓ Durability
- ✓ Easy service & maintenance
- ✓ Low fuel consumption
- ✓ Wide selection of optional equipment
- ✓ Low noise
- ✓ Tailored cooling pack

STANDARD SCOPE OF SUPPLY

- ✓ Cast iron cylinder block c/w separate cast iron cylinder head
- ✓ Aluminum alloy pistons with gallery oil cooling
- ✓ Automatic belt tensioner, Lift eyes, Fixed front suspension
- ✓ Radiator with mechanical pusher fan, thermostatically controlled
- ✓ Large capacity oil pan, spin-on full-flow oil filter, oil dipstick
- ✓ High pressure common-rail system, multiple jets injectors, ECU
- ✓ Duplex fine fuel filter c/w water separator
- ✓ Air inlet preheater
- ✓ Side mounted turbocharger
- ✓ Rear mounted air filter with restriction indicator
- ✓ 24V DC electric system with 8.5kW starter
- ✓ 27A charging alternator
- ✓ Heat isolated exhaust manifold

DIMENSIONS & WEIGHT

DIMENSIONS & WEIGHT

Including radiator (dry weight)

2072

Length (mm)

985

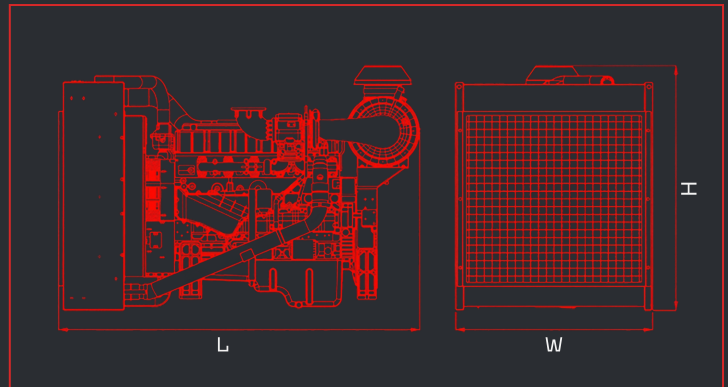
Width (mm)

1450

Height (mm)

1525

Weight (kg)



POWER DEFINITIONS:

ESP = STANDBY POWER

According to ISO8528 is maximum power available during variable electrical power sequence up to 200h of operation per year, permissible output over 24h operation should not exceed 70% ESP

PRP = PRIME POWER

According to ISO8528 is maximum power engine can deliver continuously for unlimited number of hours per year permissible output over 24h operation should not exceed 70% PRP

FOGO.PL

**INTERNATIONAL
WARRANTY**

PRIME POWER
2 years with
no hours limitations

STANDBY POWER
4 years or max. 1000 hrs
not more than 300 hrs per year