



FOGO GENSET ENGINE

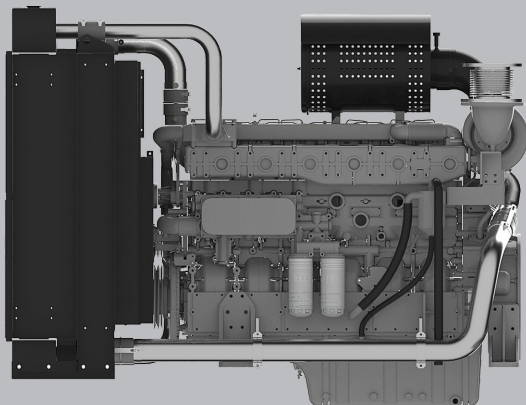
605KW

Stage III

6 cylinders

F0196-0683

Engineered for superior performance, the F0196-0683 delivers 550 kWe of prime power with advanced turbocharged technology. This 6-cylinder 19.6L diesel engine combines high efficiency with robust construction for demanding power generation needs.



MAIN TECHNICAL PARAMETERS

Number of cylinders	6
Configuration	Vertical, in-line
Aspiration	Turbocharged and intercooled
Combustion system	Direct injection
Compression ratio	14:1
Bore x Stroke	152mm x 180mm
Displacement	19.6L
Rotation	Counterclockwise (viewed from the flywheel end)
Fuel system	Electronic pump injectors
Governor	Electronic
Stability at constant load [ISO 8528-5 Class G3]	≤ +/- 0.5 %
50/60Hz switchable operation	NO
Electric system	24V
Tropical Radiator mounted on the engine	Ambient 50°C
Flywheel Housing	SAE1 /14"
Lubrication Oil capacity	56L
Coolant capacity	130L
Emission class compliance	Stage III

THE ENGINE PERFORMANCE

GROSS ENGINE OUTPUT 50HZ

PRP	605 kWm
ESP	665 kWm

TYPICAL GENERATOR OUTPUT 50HZ

PRP	550 kWe
PRP	688 kVA
ESP	750 kVA

FUEL CONSUMPTION

STANDBY [ESP]	209.8 g/kWh	167.1 L/h
PRIME [PRP]	203.5 g/kWh	147.5 L/h
75% PRP [prime]	202.8 g/kWh	73.5 L/h
50% PRP [prime]	200.2 g/kWh	108.8 L/h
HVO synthetic fuel acceptance		

KEY FEATURES

MAIN FEATURES

- ✓ Compact design
- ✓ Good power density
- ✓ Durability
- ✓ Easy service & maintenance
- ✓ Low fuel consumption
- ✓ Wide selection of optional equipment
- ✓ Low noise
- ✓ Tailored cooling pack

STANDARD SCOPE OF SUPPLY

- ✓ Cast iron cylinder block c/w separate cast iron cylinder head
- ✓ Aluminum alloy pistons with gallery oil cooling
- ✓ Automatic belt tensioner, Lift eyes, Fixed front suspension
- ✓ Radiator with mechanical pusher fan, thermostatically controlled
- ✓ Large capacity oil pan, spin-on full-flow oil filter, oil dipstick
- ✓ Electronic pump-injectors, Electronic governor
- ✓ Duplex fine fuel filter c/w water separator
- ✓ Air inlet preheater
- ✓ End mounted turbocharger
- ✓ Top mounted air filter with restriction indicator
- ✓ 24V DC electric system with two starters 7.5kW each
- ✓ 55A charging alternator
- ✓ Heat isolated exhaust manifold

DIMENSIONS & WEIGHT

DIMENSIONS & WEIGHT

Including radiator (dry weight)

2257

Length (mm)

1585

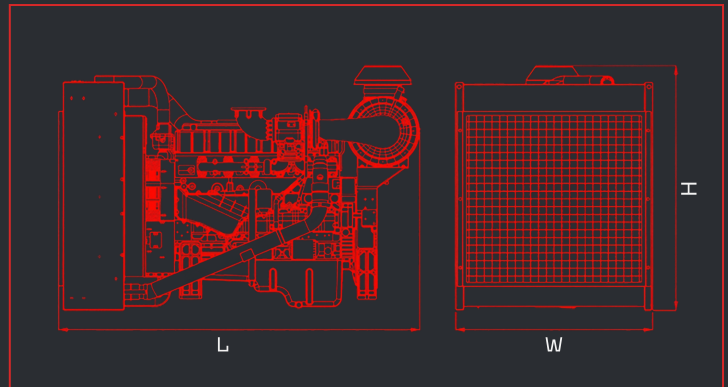
Width (mm)

1801

Height (mm)

2630

Weight (kg)



POWER DEFINITIONS:

ESP = STANDBY POWER

According to ISO8528 is maximum power available during variable electrical power sequence up to 200h of operation per year, permissible output over 24h operation should not exceed 70% ESP

PRP = PRIME POWER

According to ISO8528 is maximum power engine can deliver continuously for unlimited number of hours per year permissible output over 24h operation should not exceed 70% PRP

FOGO.PL

**INTERNATIONAL
WARRANTY**

PRIME POWER
2 years with
no hours limitations

STANDBY POWER
4 years or max. 1000 hrs
not more than 300 hrs per year